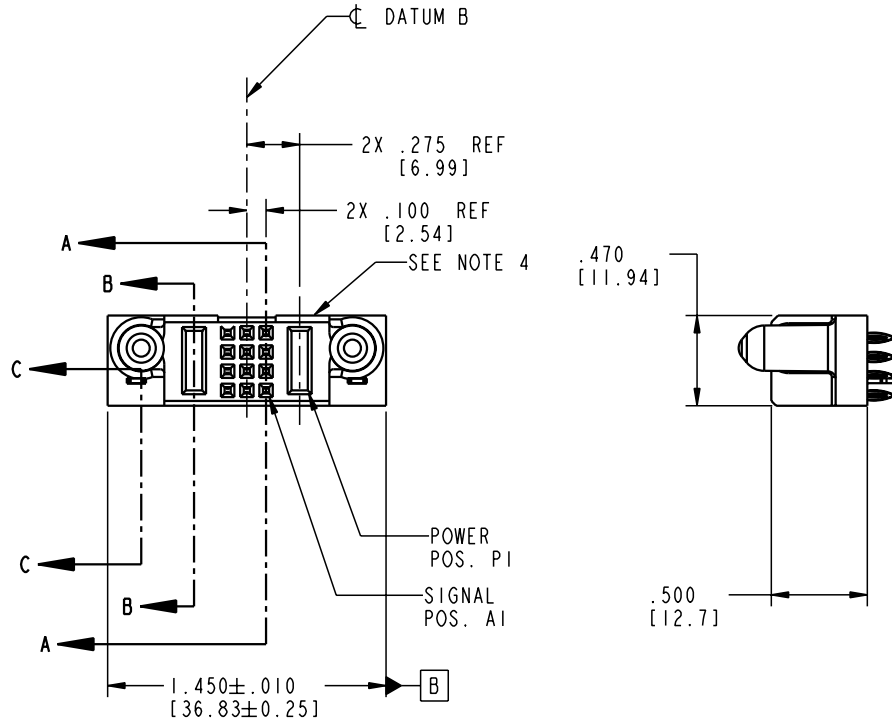


Tous droits strictement réservés. Reproduction ou communication o des liens interdite sous quelque forme que ce soit sans autorisation écrite du propriétaire. Propriete de c FCI. Droits de reproduction FCI.

All rights strictly reserved. Reproduction or issue to third parties in any form, whenever is not permitted without written authority from the proprietor. Property of FCI. Copyright FCI.

PRODUCT NO.	ROWS	PWR		SIGNAL			PWR	
		E2	P2	3	2	1	P1	E1
51740-10101201CA	D C B A		PC	F F F F F F	F F F F F F	PC		



CODE	DIM "M" MATING LENGTH	CONTACT TYPE
F	N/A [N/A]	SIGNAL
PC	.042 [1.07]	POWER
HA	N/A [N/A]	HOLD-DOWN

mat'l code				SEE NOTE 2		tolerances unless otherwise specified		CUSTOMER		 www.fciconnect.com	
ltr	ecn no.	dr	date	linear	.XX ± .01/0.X ± 0.3		COPY		title		
A	V04-0093	DAI	01/05/04		.XXX ± .005/0.XX ± 0.13		projection		IP + 12S + IP		
					.XXX ± .0020/0.XX ± 0.051				VERTICAL PRESS FIT RECEPT		
				angles	0° ± 2°		INCH/MM		product family		code
				dr	D. INGRAM	02/05/04	scale		PwrBlade		213
				engr	M. GRAY	02/05/04	1 : 1		size		sheet
				chr	M. GRAY	02/05/04			A 51740-10101201CA		1 of 4
				appd	M. GRAY	02/05/04					
sheet index	revision sheet	A	A	A	A						
		1	2	3	4						

Pro/E

cage code 22526

PDM: Rev:A

STATUS: Released

Printed: Aug 14, 2007

Tous droits strictement reserves. Reproduction ou communication a des tiers interdite sous quelque forme que ce soit sans autorisation écrite du propriétaire. Propriete de c FCI. Droits de reproduction FCI.

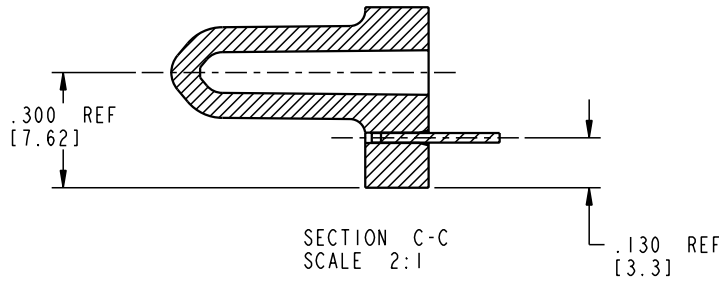
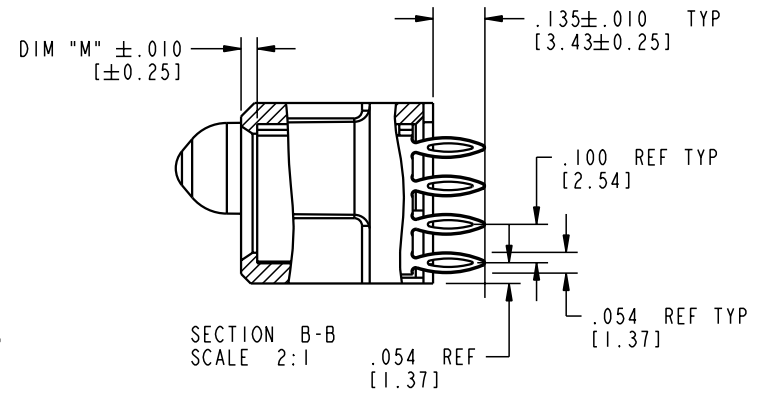
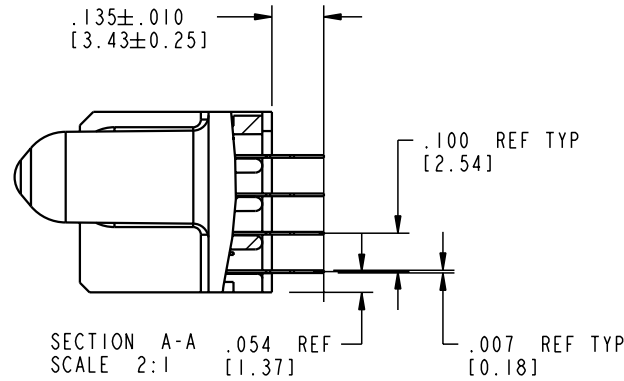
A
FCI


All rights strictly reserved. Reproduction or issue to third parties in any form whatever is not permitted without written authority from the proprietor. Property of FCI. Copyright FCI.

A

A

PRODUCT NUMBER
51740-10101201CA



mat'l code				SEE NOTE 2		tolerances unless otherwise specified		CUSTOMER		A FCI www.fciconnect.com		
ltr	ecn no.	dr	date	linear	.XX±.01/0.X±0.3		COPY		projection 	title IP + 12S + IP VERTICAL PRESS FIT RECEIPT		
A					.XXX±.005/0.XX±0.13		INCH/MM			product family PwrBlade		code 213
					.XXXX±.0020/0.XXX±0.051		scale 1:1			size A		sheet 2 of 4
				angles	0° ± ?°				product family PwrBlade		code 213	
				dr	D. INGRAM	02/05/04			size A		sheet 2 of 4	
				enr	M. GRAY	02/05/04			size A		sheet 2 of 4	
				chr	M. GRAY	02/05/04			size A		sheet 2 of 4	
				appd	M. GRAY	02/05/04			size A		sheet 2 of 4	
sheet index		revision sheet										

B

B

1 | 2

Pro/E

3 |

cage code
22526

4

PDM: Rev:A

STATUS: **Released**

Printed: Aug 14, 2007

Tous droits strictement réservés. Reproduction ou communication o des tiers interdite sous quelque forme que ce soit sans autorisation écrite du propriétaire. Propriété de c FCI. Droits de reproduction FCI.

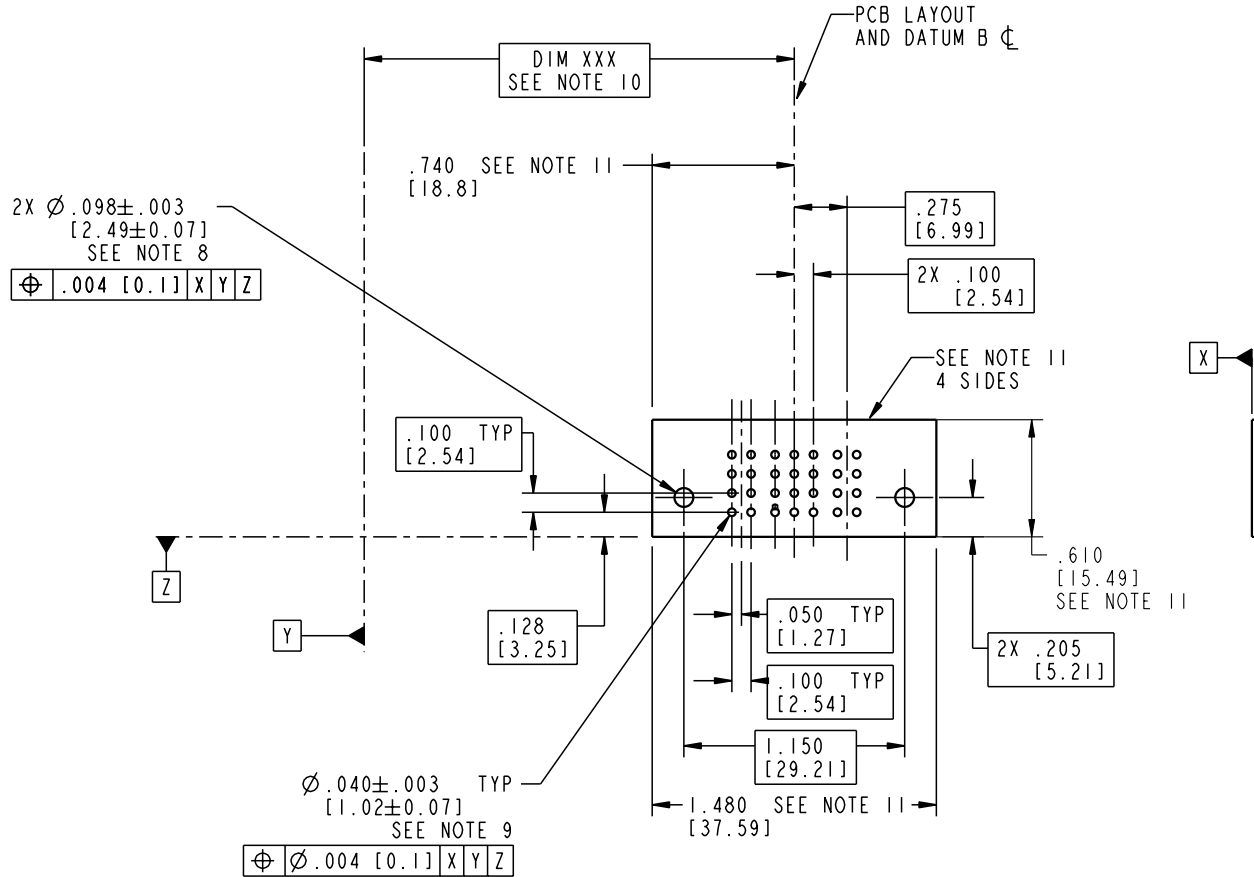
A
FCI

All rights strictly reserved. Reproduction or issue to third parties in any form whatever is not permitted without written authority from the proprietor. Property of FCI. Copyright FCI.

A

A

PRODUCT NUMBER
51740-10101201CA



mat'l code				SEE NOTE 2		tolerances unless otherwise specified		CUSTOMER		 www.fciconnect.com	
ltr	ecn no.	dr	date	linear	.XX±.01/0.X±0.3	projection	COPY		title		
A				angles	.XXX±.005/0.XX±0.13				IP + 12S + IP		
				dr	.XXX±.0020/0.XXX±0.051		INCH/MM		VERTICAL PRESS FIT RECEIPT		
				enr	0° ± 2°	D. INGRAM	02/05/04	product family		code	
				chr		M. GRAY	02/05/04	PwrBlade		213	
				appd		M. GRAY	02/05/04	size		sheet	
sheet index		revision sheet		scale		1:1		A		3 of 4	
								51740-10101201CA			

B

B

1 | 2

Pro/E

3 |

cage code 22526

4

PDM: Rev:A

STATUS: **Released**

Printed: Aug 14, 2007

Tous droits strictement réservés. Reproduction ou communication o des tiers interdite sous quelque forme que ce soit sans autorisation écrite du propriétaire. Propriete de c FCI. Droits de reproduction FCI.

A
FCI

All rights strictly reserved. Reproduction or issue to third parties in any form, whatever is not permitted without written authority from the proprietor. Property of FCI. Copyright FCI.

A

B

PRODUCT NUMBER
51740-10101201CA

NOTES:

1. DIMENSIONS AND TOLERANCES ARE IN ACCORDANCE WITH ASME Y14.5M, 1994 UNLESS OTHERWISE SPECIFIED.

CONNECTOR NOTES:

2 HOUSING MATERIAL: UL 94 V-0 GLASS FILLED

HIGH-TEMP THERMOPLASTIC
POWER CONTACT MATERIAL: COPPER ALLOY
SIGNAL PIN MATERIAL: COPPER ALLOY

3. PLATING:

SIGNAL PINS: 30u"/0.76um Au OVER 50u"/1.27um Ni
POWER CONTACTS: 50u"/1.27um Ni UNDER ALL
WITH 30u"/0.76um Au ON CONTACT AREA
AND SnPb ON PCB INTERFACE

4 MANUFACTURER'S NAME, P/N, AND DATE CODE TO APPEAR ON THIS SURFACE.

5. PRODUCT SPECIFICATION GS-12-149.
APPLICATION SPECIFICATION BUS-20-067.

6. PACKAGED IN TRAYS.

PCB NOTES:


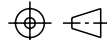
7. ALL HOLE DIAMETERS ARE FINISHED HOLE SIZE.

8 MOUNTING HOLES, WHERE APPLICABLE, ARE UNPLATED.

9 $\varnothing .0453 \pm .0010$ [1.151 \pm 0.025] DRILLED HOLES PLATED WITH
.0003 [0.008] MIN SnPb OVER .001 [0.03]
TO .003 [0.08] Cu PLATING TO ACHIEVE
 $\varnothing .040 \pm .003$ [1.02 \pm .07] HOLE.

10 "DIM XXX" TO BE DETERMINED BY THE CUSTOMER.

11 CONNECTOR KEEP-OUT ZONE.

mat'l code				SEE NOTE 2		tolerances unless otherwise specified		CUSTOMER		 FCI www.fciconnect.com	
ltr	ecn no.	dr	date	linear	.XX±.01/0.X±0.3		COPY		 title IP + 12S + 1P VERTICAL PRESS FIT RECEIPT		
A					.XXX±.005/0.XXX±0.13		INCH/MM				
					angles	.XXX±.0020/0.XXX±0.051		scale 1:1		size dwg no 51740-10101201CA sheet 4 of 4	
				dr	D. INGRAM	02/05/04					
				enr	M. GRAY	02/05/04					
				chr	M. GRAY	02/05/04					
				appd	M. GRAY	02/05/04					
sheet index		revision sheet									

A

B

1 | 2

3 |

4

1 | 2

Pro/E

3 |

cage code **22526**

4

PDM: Rev:A

STATUS: **Released**

Printed: Aug 14, 2007